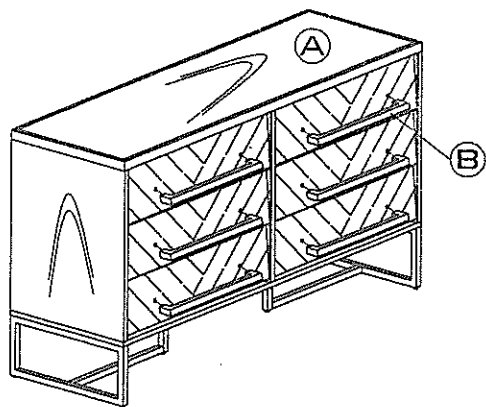


ASSEMBLY INSTRUCTIONS

MOSAIC 6DRAWER DOUBLE DRESSER



PARTS CHECK LIST

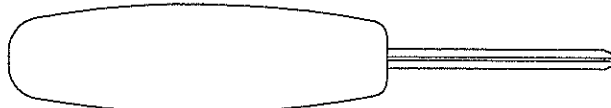
CODE	COMPONENTS	QTY
(A)	BODY	x01
(B)	HANDLE	x06

FITTINGS CHECK LIST

CODE	DESCRIPTION	QTY
(D1)	DOME SCREW	x12

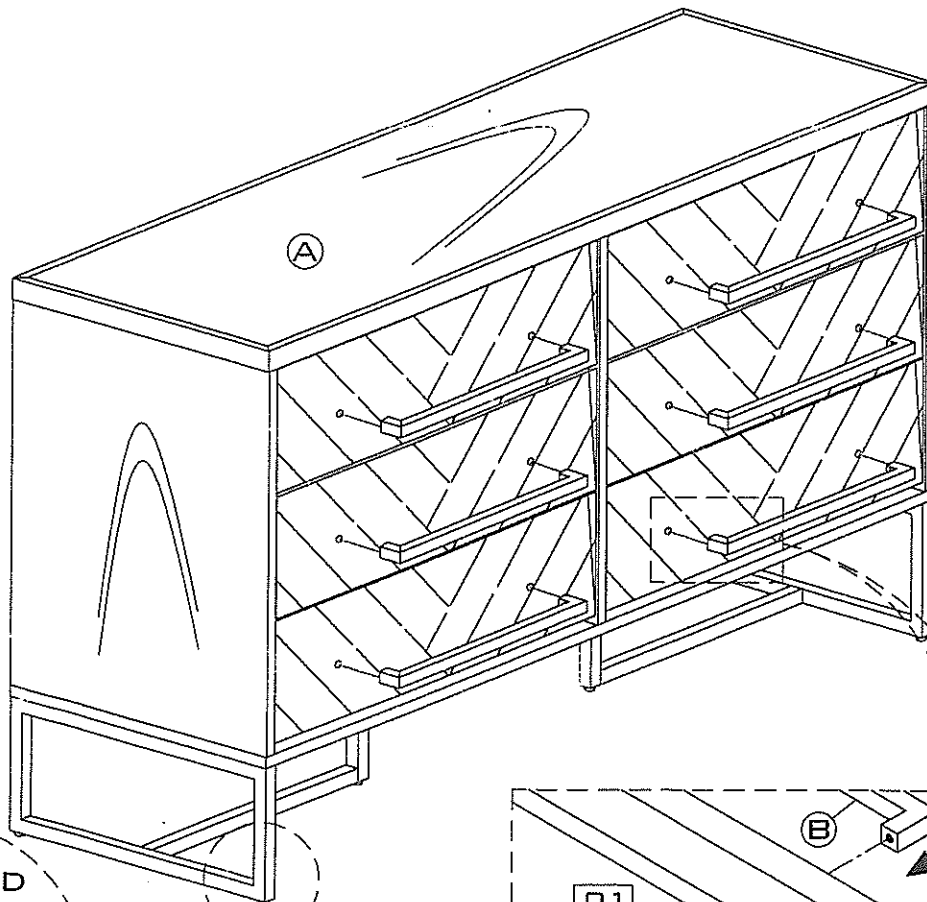


PHILLIPS HEAD SCREWDRIVER TOOL NEEDED
(NOT INCLUDED)



- PLEASE DO NOT DISCARD ANY OF THE PACKAGING UNTIL YOU HAVE CHECKED ALL THE PARTS AND THE PACKS OF FITTINGS.
- BEFORE YOU BEGIN TO ASSEMBLE YOUR NEW PIECE OF FURNITURE, PLEASE CHECK TO ENSURE THAT ALL PARTS HAVE BEEN SUPPLIED.
- FOLLOW INSTRUCTIONS CLOSELY AS DEVIATION FROM THEM MAY VOID YOUR WARRANTY AND PRESENT A POSSIBLE SAFETY RISK.
- IT IS RECOMMENDED THAT ASSEMBLY IS DONE ON A SOFT SURFACE LIKE CARPET TO AVOID ANY DAMAGE.
- PERIODICALLY CHECK AND RE-TIGHTEN ANY FASTENERS. WIPE DOWN ALL SURFACES WEEKLY WITH A CLEAN CLOTH. DO NOT CLEAN ANY SURFACES WITH HARSH ABRASIVES OR CHEMICALS.

1.



ADJUST
PRE-FITTED

